

# KDS611 Pressure Transmitter

## 1. Overview

silicon pressure transmitter is designed for use in applications which deal with corrosive pressure media and require high accuracy. The pressure diaphragm of transmitter is made from silicon material, while its wetted parts are made from 316L stainless steel which possesses a higher degree of resistance against chemical corrosion. The output signals of pressure transmitters are configured to meet the need of different controllers used in industrial automation processes, including 4~20mA, 0-10V, 0~5V.

With one can obtain 0.2 % fso

accuracy in measurement with long-term stability.

The zero thermal drift is less than 0.04 % fso/ °C,

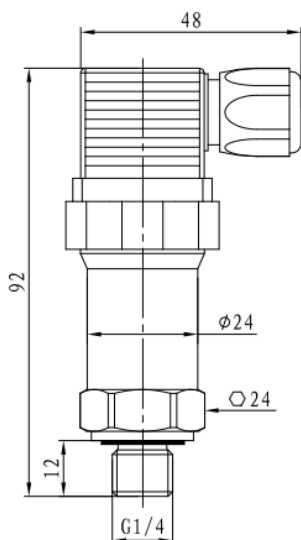
while the sensitivity thermal drift is 0.02 % fso/ °C over the whole operating temperature range.



## 2. Specification:

model	KDS611	
measuring media	Liquid/gas/oil	
measuring range	MPa	-0.1...0~100MPa
overload pressure	%FS	150
burst pressure	%FS	250
power supply	VDC	24
output signal		4~20 mA/0-10V
zero offset	%FSO	1 maximum
accuracy	%FSO	±0.5
long-term stability of zero	%FSO/year	0.15
Load resistance	Ω	250~1150Ω (for 4~20 mA current loop)
storage temperature range	°C	-30~+80
operating temperature range	°C	-40~+120
process connection	thread	1/4 BSP-Male
electrical connection	DIN 43650 connector	
environment protection	IP rating	IP 65
pressure membrane material	Silicon	
housing material	304 SS	

## 3. Dimension (reference only)



## 4. Electrical connection 2wires ,4-20mA output

